



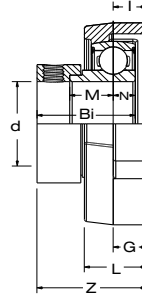
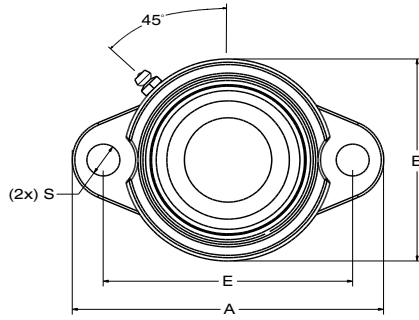
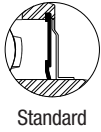
SALF 200 SERIES

Light-Duty 2-Bolt Flange Block
Eccentric Lock

TURNER

Mounted Bearings

Available Seal Style:



Bearing Number	Shaft Dia.	Dimensions in. mm.											Bolt Used	Load Rating lbs. kN.		Bearing Insert	Housing Number	Weight lbs. kg.
	d in. mm.	A	E	I	G	L	S	B	Z	Bi	N	M		in. mm.	Dynamic C _r			
SALF 201	12	3.19 81.0	2.500 63.5	0.37 9.5	0.37 9.5	0.71 18.0	0.31 8.0	2.20 56.0	1.26 32.1	1.1260 28.6	0.2362 6.0	0.5157 13.1	1/4 M6	2,147 9.55	1,075 4.78	SA 201	LF 203	1.1 0.5
SALF 201-8	1/2																	
SALF 202	15																	
SALF 202-10	5/8																	
SALF 203	17																	
SALF 204-12	3/4	3.54 90.0	2.815 71.5	0.43 11.0	0.43 11.0	0.79 20.0	0.39 10.0	2.40 61.0	1.38 35.0	1.2205 31.0	0.2756 7.0	0.5709 14.5	5/16 M8	2,883 12.82	1,496 6.65	SA 204-12	LF 204	1.3 0.6
SALF 204	20																	
SALF 205-14	7/8	3.74 95.0	2.992 76.0	0.43 11.0	0.43 11.0	0.79 20.0	0.39 10.0	2.52 64.0	1.38 35.0	1.2402 31.5	0.2953 7.5	0.5709 14.5	5/16 M8	3,155 14.04	1,810 8.05	SA 205-14	LF 205	1.5 0.7
SALF 205-15	15/16																	
SALF 205	25																	
SALF 205-16	1																	
SALF 206-17	1 1/16																	
SALF 206-18	1 1/8	4.45 113.0	3.563 90.5	0.47 12.0	0.47 12.0	0.89 22.5	0.47 12.0	2.99 76.0	1.56 39.7	1.4055 35.7	0.3150 8.0	0.6220 15.8	3/8 M10	4,377 19.47	2,569 11.43	SA 206-17	LF 206	2.2 1.0
SALF 206	30																	
SALF 206-19	1 3/16																	
SALF 206-20	1 1/4																	
SALF 207-20	1 1/4																	
SALF 207-21	1 5/16	4.80 122.0	3.937 100.0	0.51 13.0	0.51 13.0	0.94 24.0	0.47 12.0	3.50 89.0	1.71 43.4	1.5315 38.9	0.3346 8.5	0.6654 16.9	3/8 M10	5,775 25.69	3,497 15.56	SA 207-20	LF 207	2.9 1.3
SALF 207-22	1 3/8																	
SALF 207	35																	
SALF 207-23	1 7/16																	
SALF 207-23	1 7/16																	

NOTE: Standard units include a regreaseable bearing. Non-regreaseable bearings are available upon request.